



Hardware Product Innovation of the Year



## Sygno-fi Wireless Multi-Sensor Detector (SYG-MA)

The SYG-MA Sygno-fi multi-sensor detector is the latest in wireless multi-sensor detector technology.

The detector is a fully intelligent device combining both dual optical smoke and heat detection technologies for improved performance, whilst maintaining high levels of unwanted alarm rejection.

Utilising well-proven adaptive radio signal processing algorithms ensure the highest levels of life safety and system reliability are achieved.

An in-built magnet test allows easy activation to verify correct functionality and response.

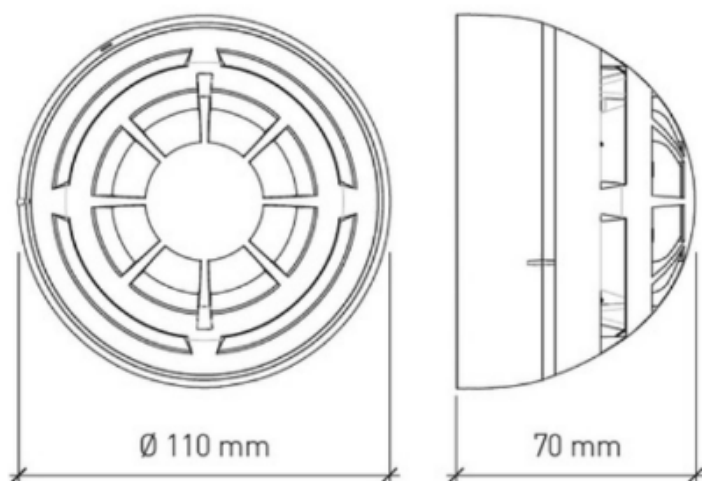
## TECHNICAL DATA

Operating frequency range	868 – 870 MHz
Max radiated power	14dBm (25mW)
Dimensions	110mm x 70mm
Weight (without batteries)	155g
Batteries	2x CR123A
Operating Temperature	-10°C to +55°C
Max humidity (non condensing)	95% RH
IP Rating	40

## KEY FEATURES

- Advanced dual optical chamber design
- Twin alarm LEDs for 360° visibility
- Multiple operating settings
- Advanced drift compensation
- Bi-directional wireless communication
- Can be used with Sygno-fi addressable and conventional translators
- 22 pairs of field channels
- Dual channel redundancy
- Long communication range (≅ 1 km in open air)
- 10 year battery life
- Utilises standard low cost lithium battery technology
- Device identification tab
- Security screw to prevent tampering and unwanted removal
- Easy scan & link programming option
- 3rd party approved
- 5 year product warranty
- Tri-coloured LED

## TECHNICAL INFORMATION



## APPROVALS

- BS EN54-5 Class A1R: Heat Detectors
- BS EN54-7 Smoke Detectors
- BS EN54-25: Components using radio links

## BASE COMPATIBILITY

This device is supplied with a standard base and is incompatible with the following sounder bases:  
SYG-BS | SYG-BSB-23W | SYG-BSB-23R

