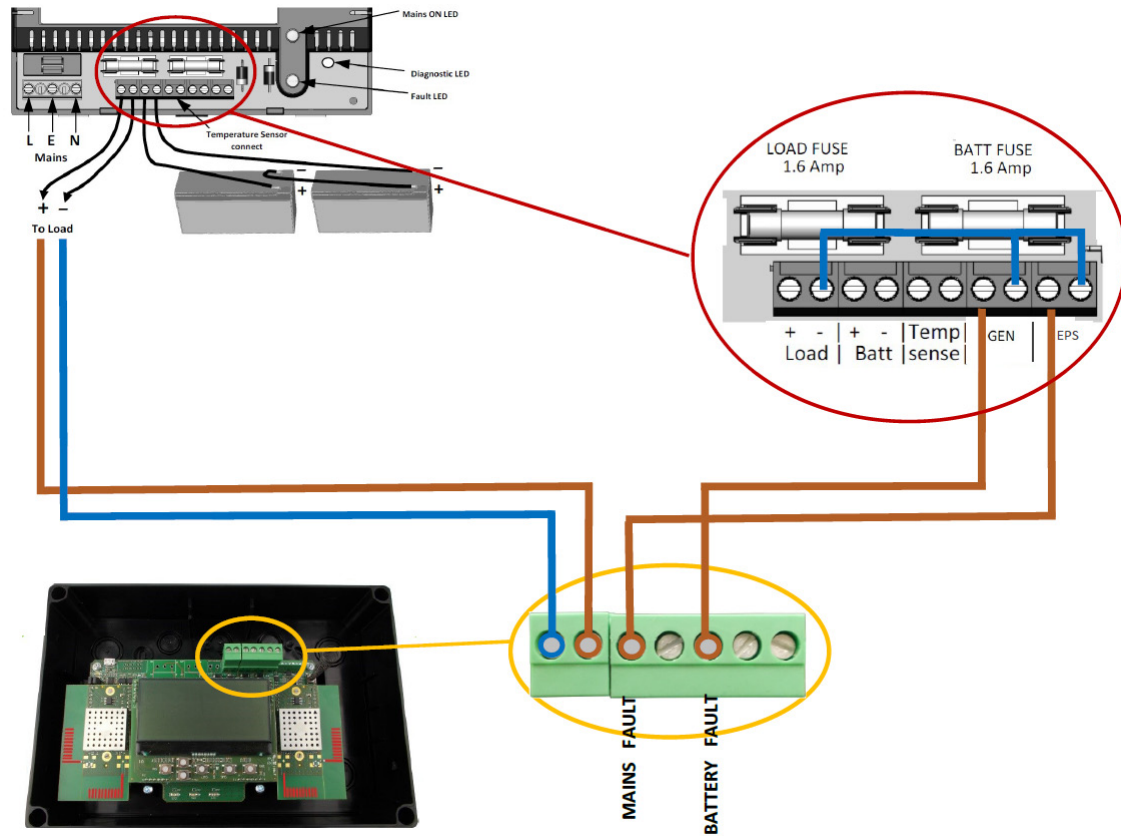
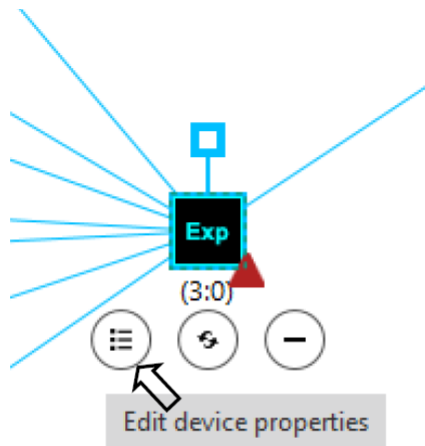


## SYGNO-FI EXPANDER ELMDENE PSU 2 CORE



## SYGNO-FI EXPANDER ELMDENE PSU 2 CORE



On the SygNex configuration software, click on the Expander to Edit device properties

A screenshot of a configuration window for a device. The window title is 'TW-ME-01'. The device name is 'TW-ME-01' and the type is 'Expander module'. The 'Note' field is empty. The 'Radio address' is '2:0'. The 'Loop address' is a dropdown menu. The 'Unique ID' is 'GH0G001U'. The 'Firmware version' is '4.1.5'. The 'Production lot' is 'W34/21'. The 'Field channels' are '7' and '43'. The 'Current network channels' are '9 / 45'. The 'Current field channels' are '7 / 43'. The 'Tamper' section has a checked box for 'Enable supervision'. The 'EN54-4 Power Supply Unit' section has four rows of radio buttons: 'Mains fault' (Disabled, Open, Low), 'Battery fault' (Disabled, Open, Low), 'Battery charger fault' (Disabled, Open, Low), and 'Battery O/C' (Disabled, Open, Low). At the bottom are 'Apply', 'OK', and 'Cancel' buttons.

Edit the properties as above with the Mains and Battery fault monitoring set to open.